

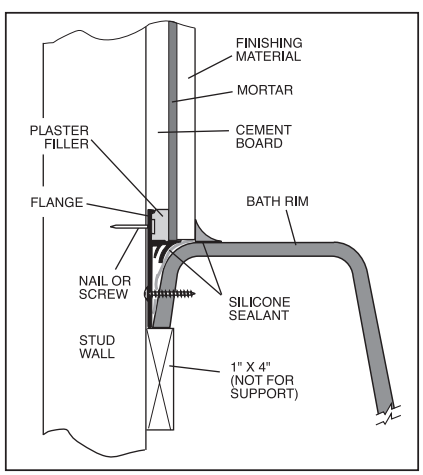


Therapy Tubs®

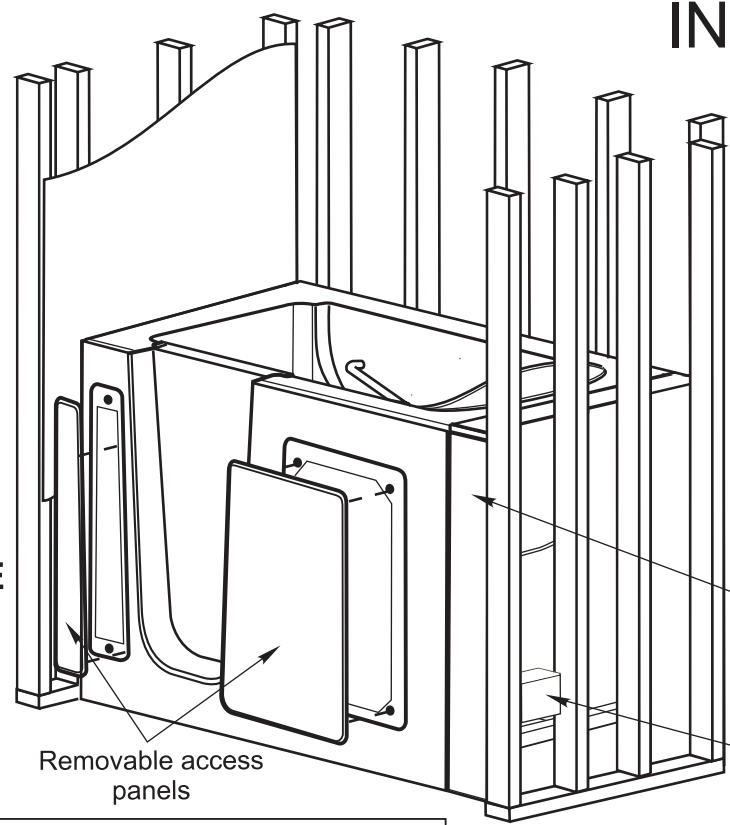
The Evolution of Bathing

★ Use Aftermarket Tile Flange if required by local code.

DETAIL A



NO FLANGE ON 3 SIDES



IMPORTANT:
Pre drill 2 screw holes in the tub tile flange on the back of the tub only. Use these two holes to screw the tub to studs. Do not over tighten screws. Do not force tub flange to studs, this can cause the tub door to not seal properly and could possibly cause a door leak.

INSTALLATION DETAILS

Jasper 2948

(65 gal. Capacity)

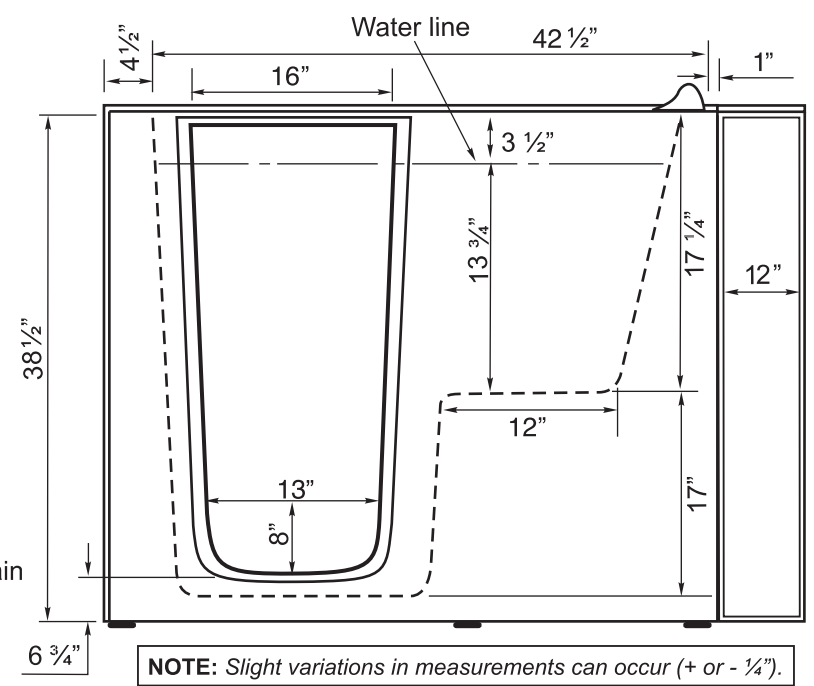
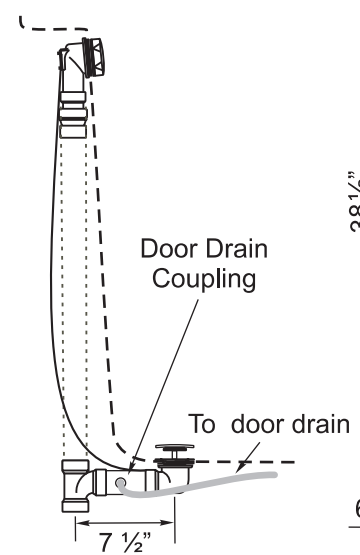
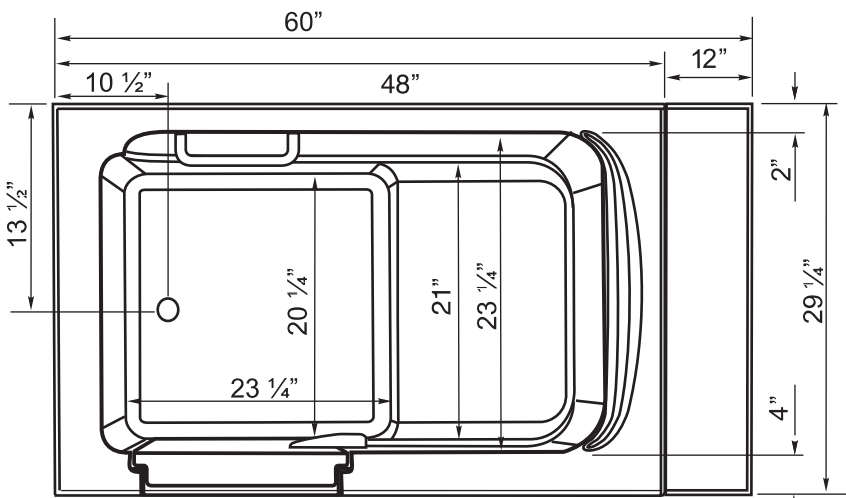
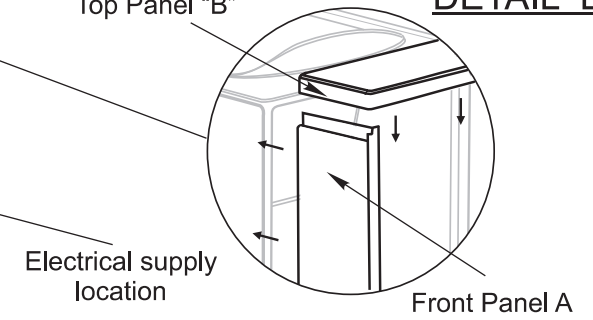
NO FLANGE

EXTENSION PANEL INSTALLATION

- Step 1. Install mounting clips onto end of tub.
- Step 2. Slide front panel "A" into mounting clips.
- Step 3. Slide top panel "B" into mounting clips.
- Step 4. Refer to Detail "A" on fastening flange to studs and sealing.

Top Panel "B"

DETAIL B



NOTE: Slight variations in measurements can occur (+ or - 1/4").