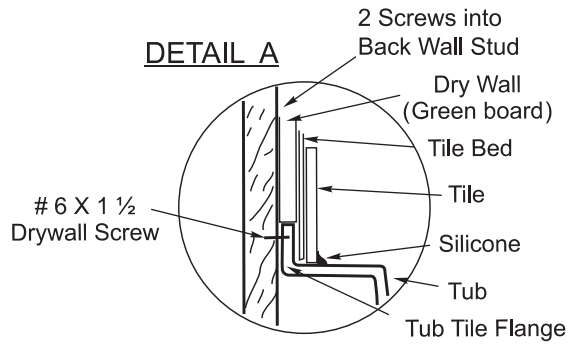




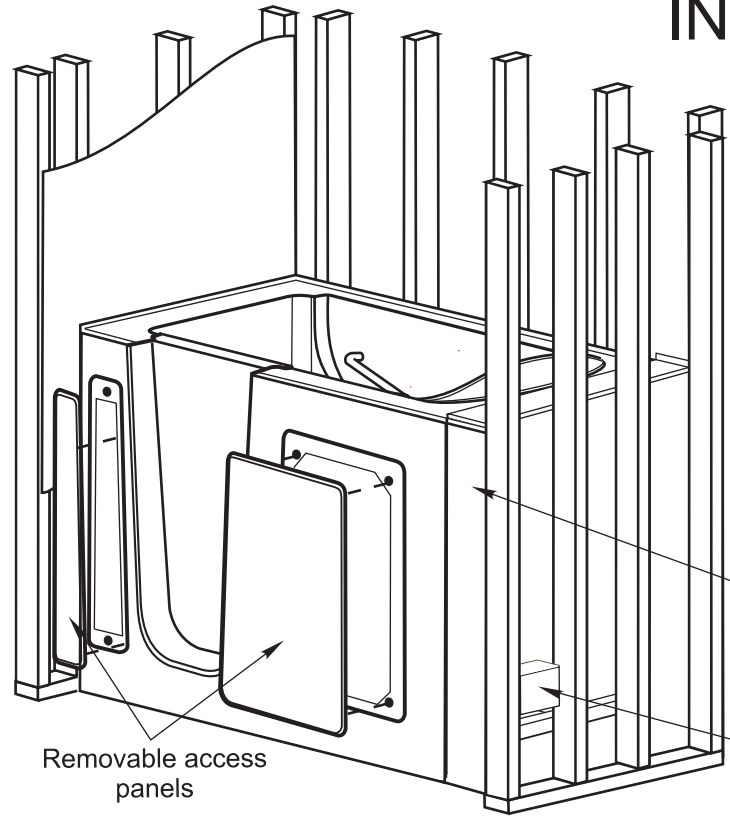
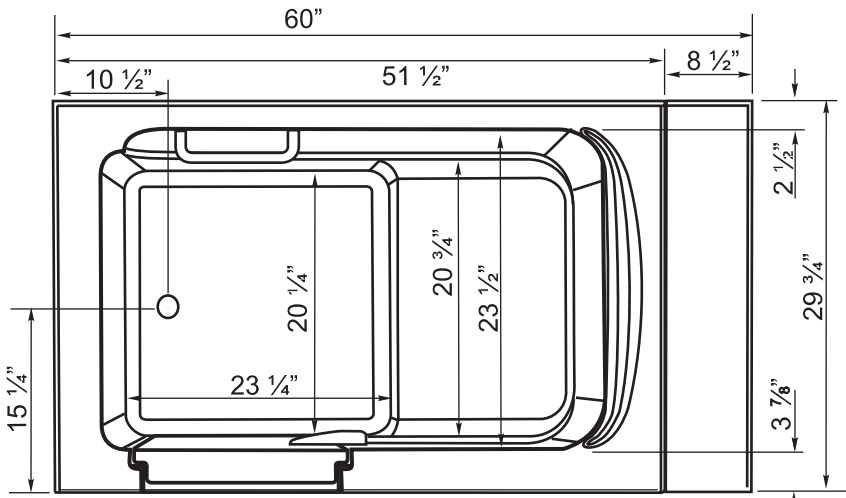
THERAPY TUBS®

The Evolution of Bathing

TILE FLANGE ON 3 SIDES



IMPORTANT:
Pre drill 2 screw holes in the tub tile flange on the back of the tub only. Use these two holes to screw the tub to studs. Do not over tighten screws. **Do not force tub flange to studs, this can cause the tub door to not seal properly and could possibly cause a door leak.**



INSTALLATION DETAILS

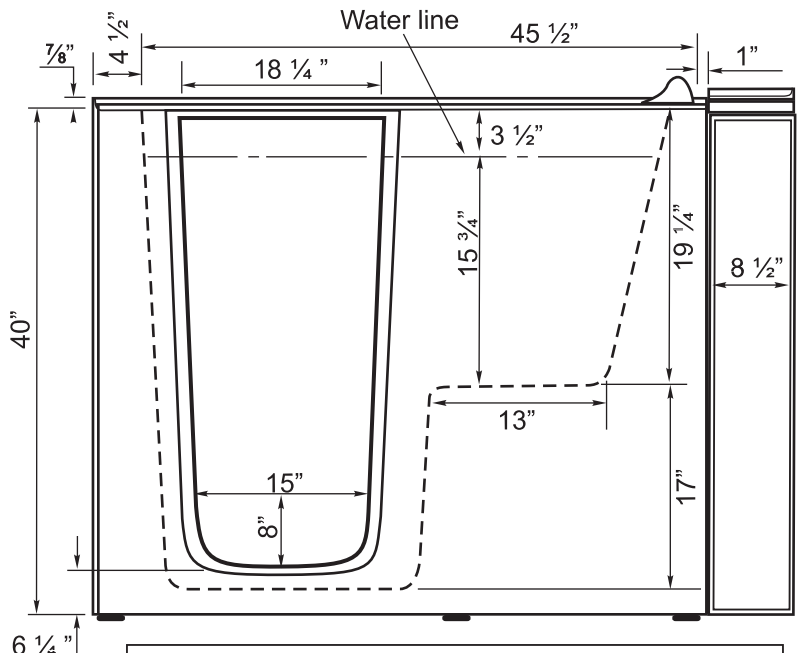
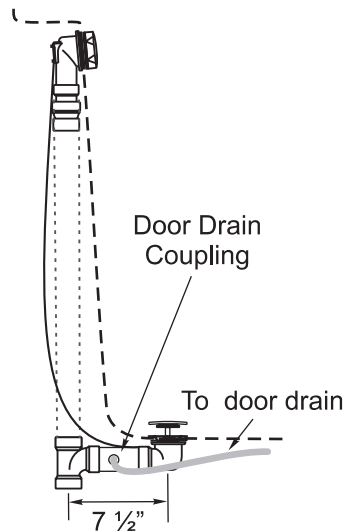
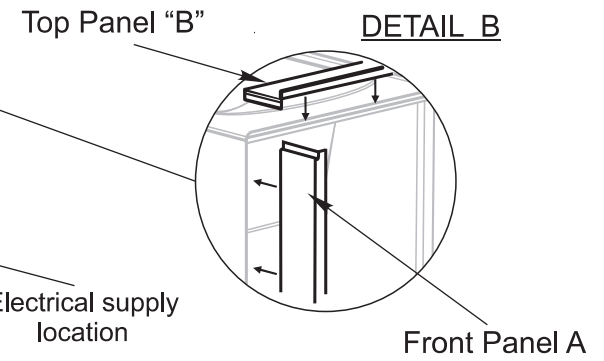
Ruby 3052

(75 gal. Capacity)

3 WALL TILE FLANGE

EXTENSION PANEL INSTALLATION

- Step 1. Bolt front panel "A" onto front of tub.
- Step 2. Bolt top panel "B" over tile flange.
- Step 3. Refer to Detail "A" on fastening flange to studs and sealing.



NOTE: Slight variations in measurements can occur (+ or - 1/4").