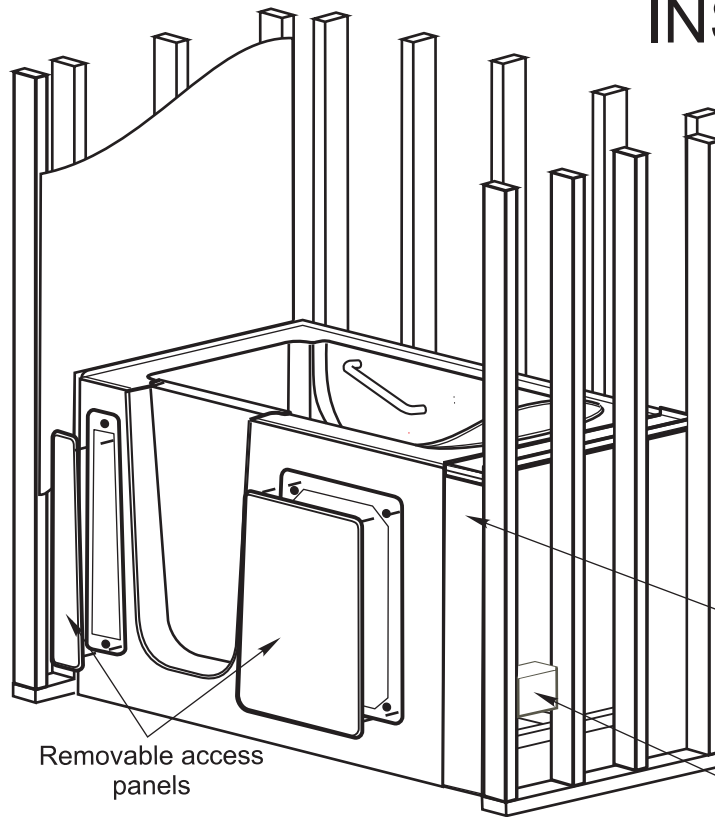
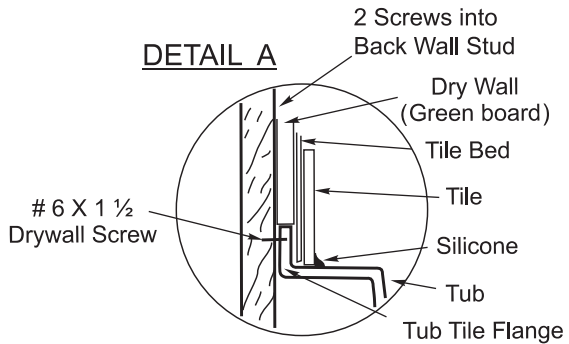




THERAPY TUBS®

The Evolution of Bathing

TILE FLANGE ON 3 SIDES



INSTALLATION DETAILS

Pearl 3153

(65 gal. Capacity)

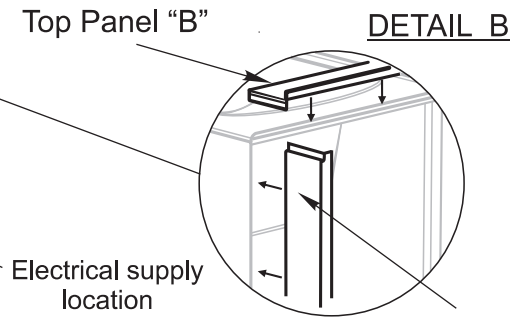
3 WALL TILE FLANGE

EXTENSION PANEL INSTALLATION

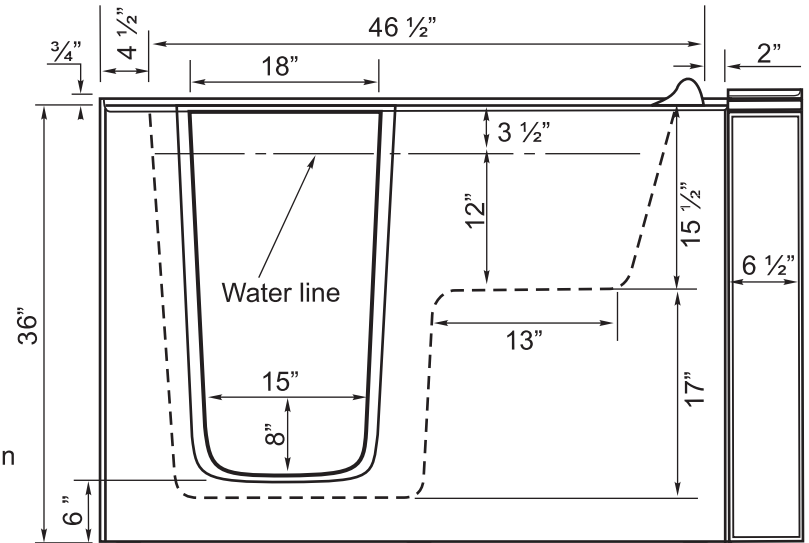
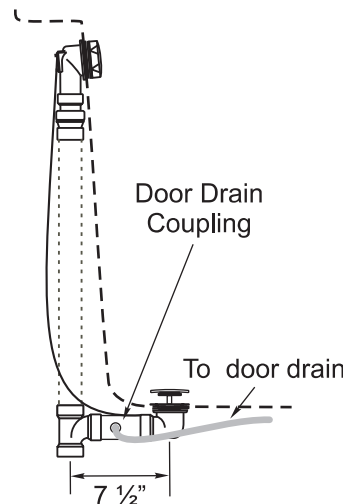
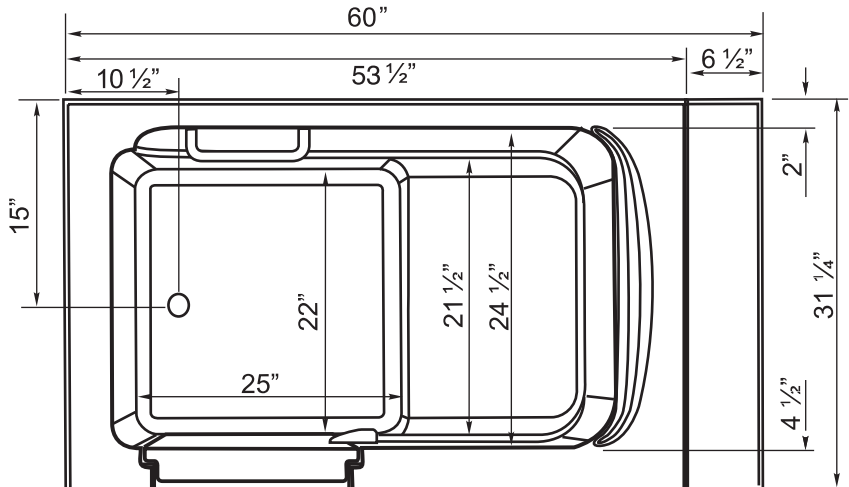
Step 1. Slide front panel "A" onto front of tub.

Step 2. Slide top panel "B" over tile flange.

Step 3. Refer to Detail "A" on fastening flange to studs and sealing.



IMPORTANT:
Pre drill 2 screw holes in the tub tile flange on the back of the tub only. Use these two holes to screw the tub to studs. Do not over tighten screws. **Do not force tub flange to studs, this can cause the tub door to not seal properly and could possibly cause a door leak.**



NOTE: Slight variations in measurements can occur (+ or - 1/4").