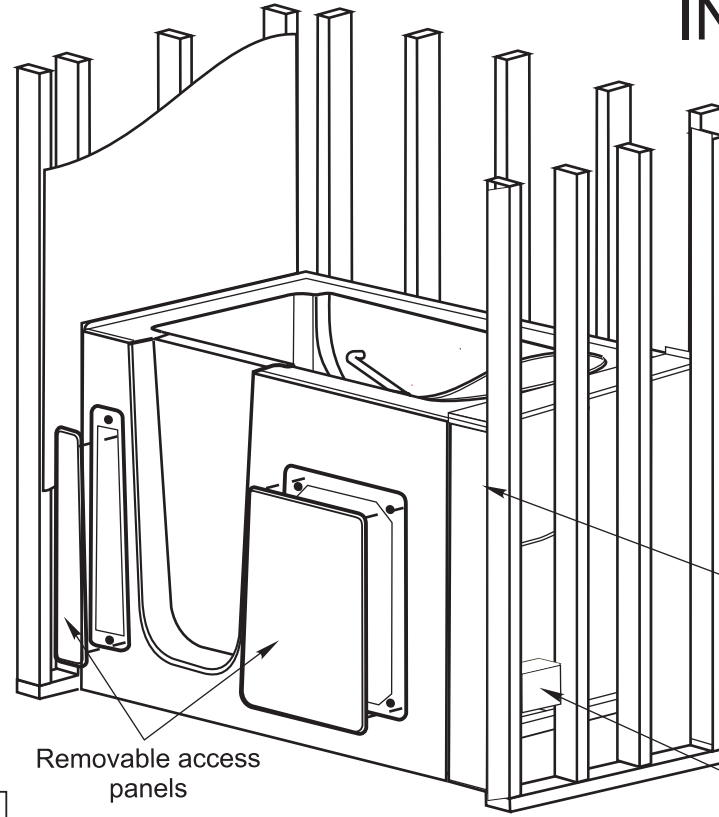
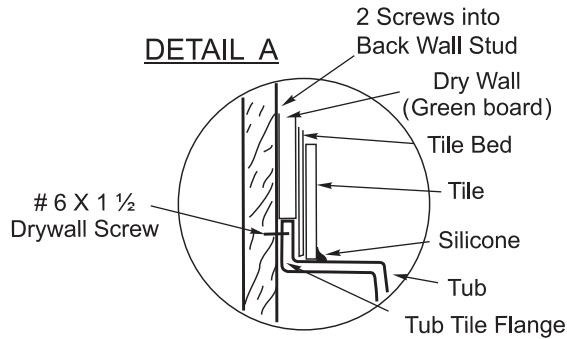




Therapy Tubs®

The Evolution of Bathing

TILE FLANGE ON 3 SIDES



INSTALLATION DETAILS

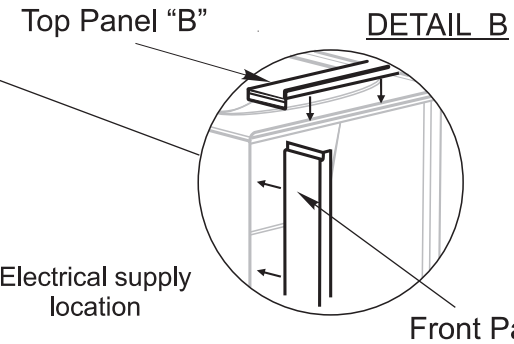
Opal 3155D

(110 gal. Capacity)

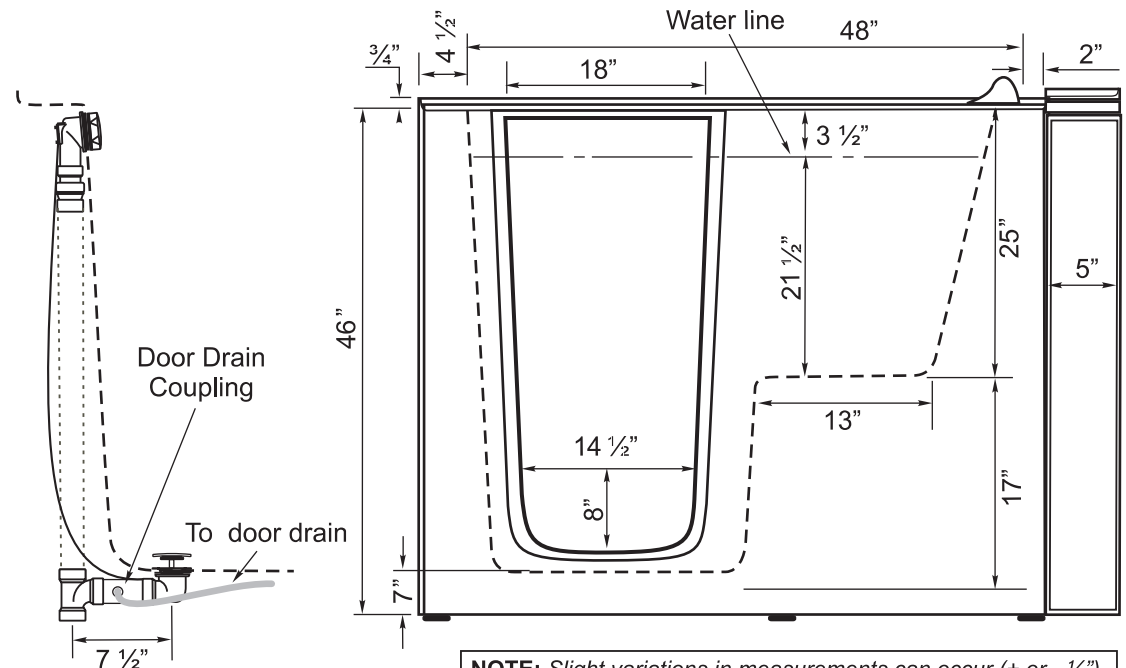
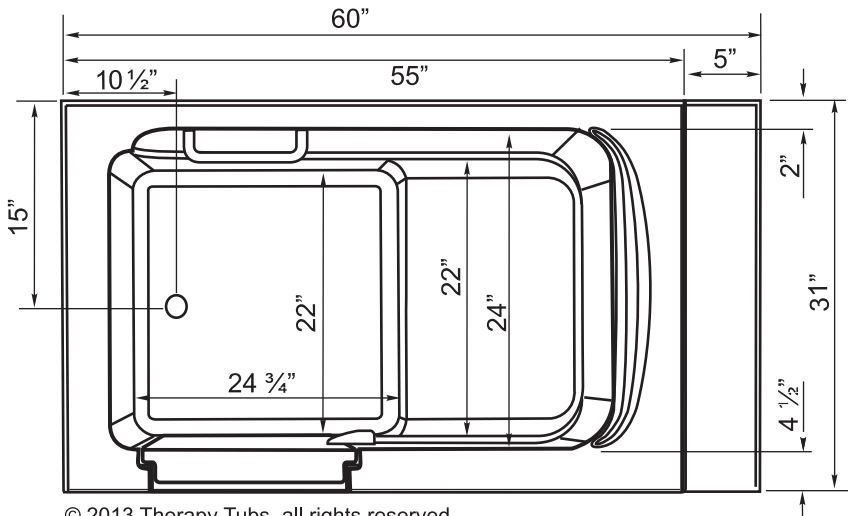
3 WALL TILE FLANGE

EXTENSION PANEL INSTALLATION

- Step 1. Slide front panel "A" into mounting clips.
- Step 2. Slide top panel "B" into mounting clips.
- Step 3. Refer to Detail "A" on fastening flange to studs and sealing.



IMPORTANT:
Pre drill 2 screw holes in the tub tile flange on the back of the tub only. Use these two holes to screw the tub to studs. Do not over tighten screws.
Do not force tub flange to studs, this can cause the tub door to not seal properly and could possibly cause a door leak.



NOTE: Slight variations in measurements can occur (+ or - 1/4").