



THERAPY TUBS®
The Evolution of Bathing

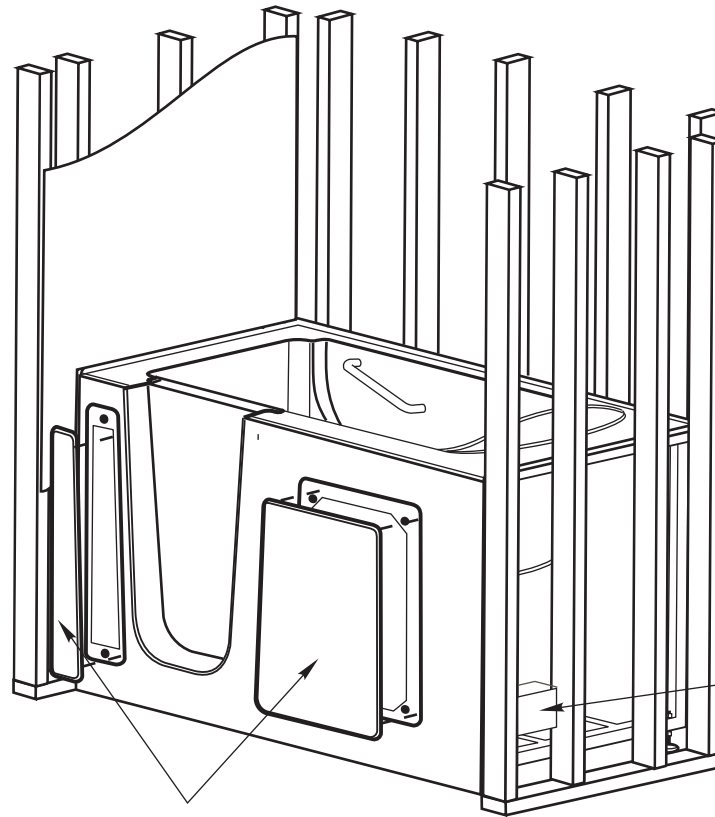
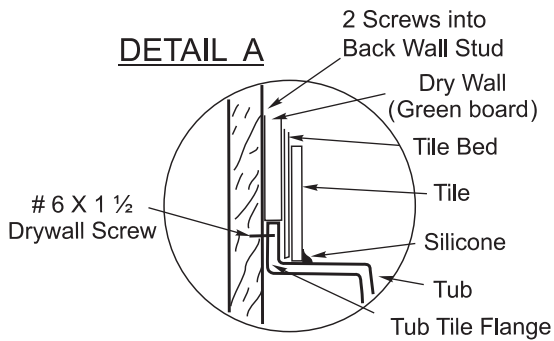
INSTALLATION DETAILS

Sapphire 3260
 (65 gal. Capacity)

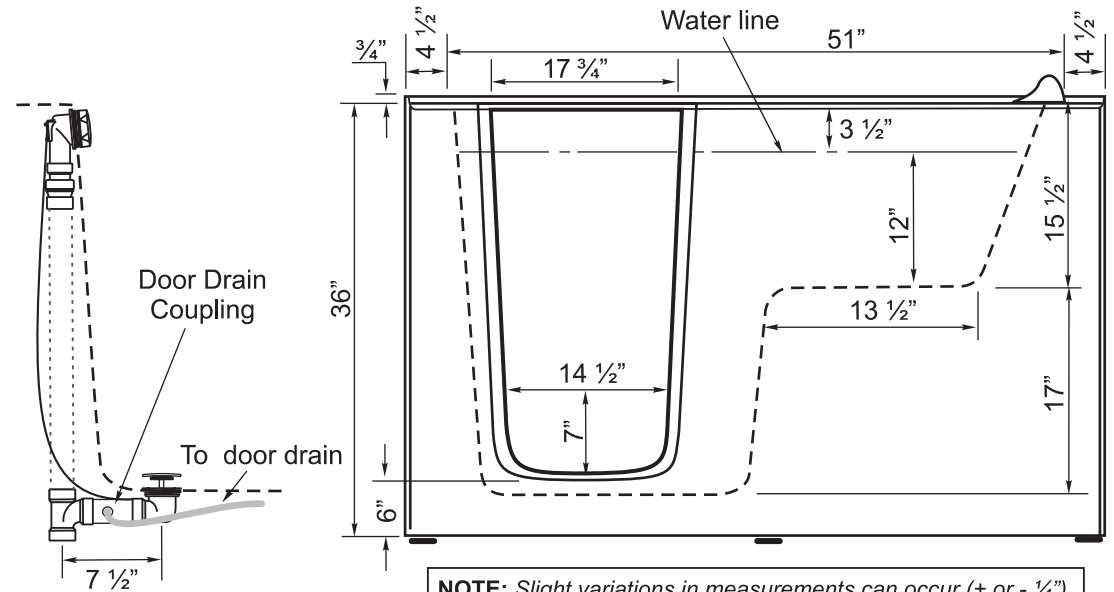
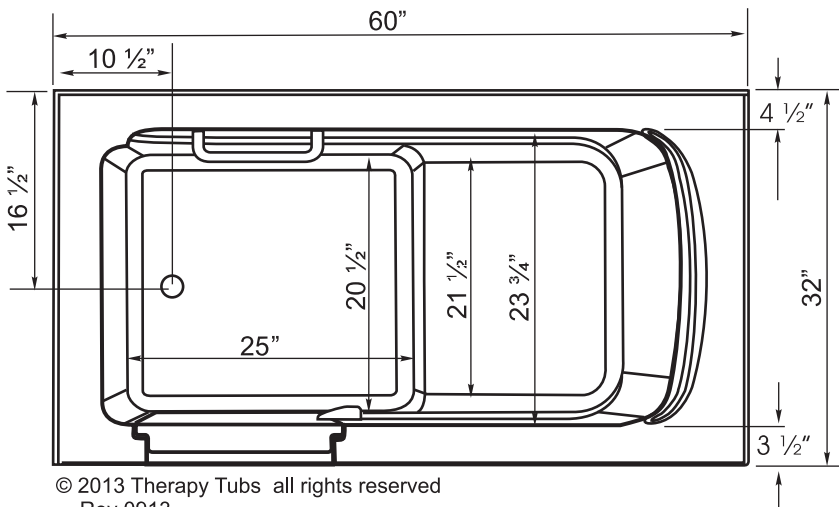
3 WALL TILE FLANGE

NO EXTENSION PANEL NEEDED

TILE FLANGE ON 3 SIDES



IMPORTANT:
 Pre drill 2 screw holes in the tub tile flange on the back of the tub only. Use these two holes to screw the tub to studs. Do not over tighten screws.
Do not force tub flange to studs, this can cause the tub door to not seal properly and could possibly cause a door leak.



NOTE: Slight variations in measurements can occur (+ or - 1/4").