



**THERAPY TUBS®**  
*The Evolution of Bathing*

# INSTALLATION DETAILS

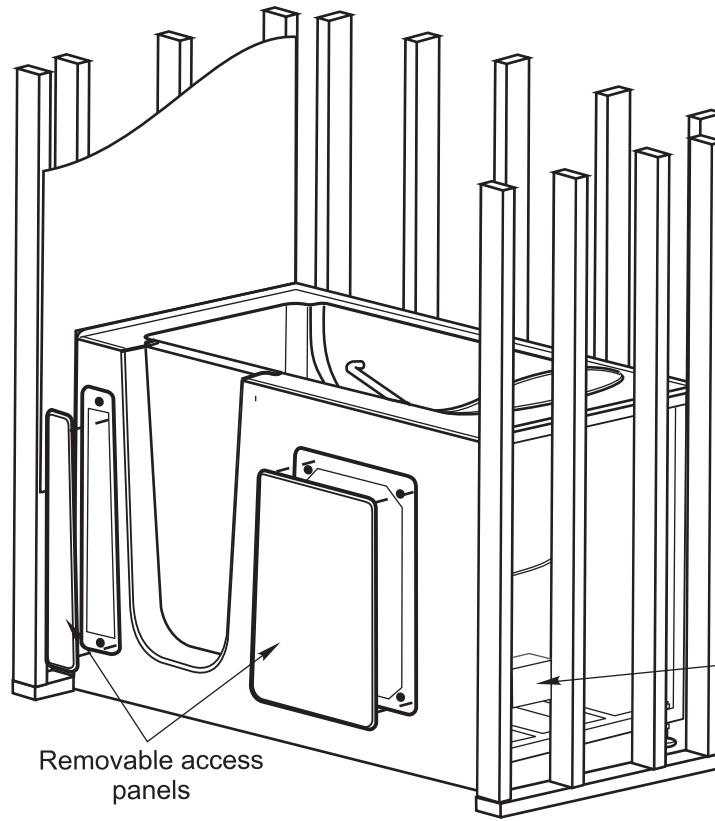
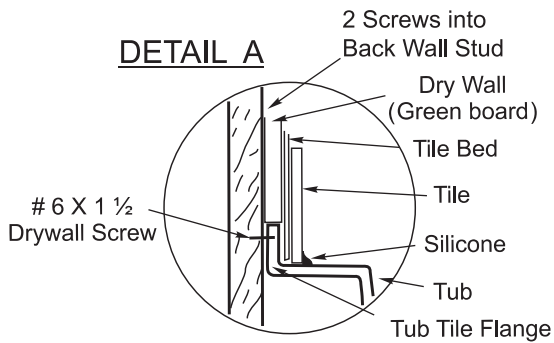
## Jade 3260D

(115 gal. Capacity)

### 3 WALL TILE FLANGE

**NO EXTENSION PANEL NEEDED**

### TILE FLANGE ON 3 SIDES



**IMPORTANT:**  
 Pre drill 2 screw holes in the tub tile flange on the back of the tub only. Use these two holes to screw the tub to studs. Do not over tighten screws. Do not force tub flange to studs, this can cause the tub door to not seal properly and could possibly cause a door leak.

